



h10



[www.h10.com.tr](http://www.h10.com.tr)



h10

[www.h10.com.tr](http://www.h10.com.tr)



# INDEX

INDEX

INSET 8  
INSET

UNDERMOUNT 39  
UNDERMOUNT

LAY - ON / ONSET 46  
LAY - ON / ONSET



# INSET



# INSET



43,5 x 76

Code	Thickness	Finish	Packing
DE-101	0,5-0,6	Satin	10
DE-102	0,5-0,6	Linen	10

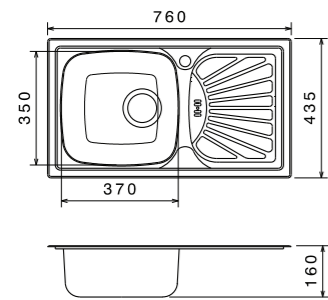
Siphon Types



YP052



YP065



48 x 73

Code	Thickness	Finish	Packing
DE-103	0,6-0,8	Satin	10
DE-104	0,6-0,8	Linen	10

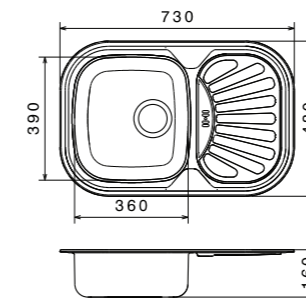
Siphon Types



YP052



YP065



43,5 x 76

Code	Thickness	Finish	Packing
DE-101 D	0,5-0,6	Satin	10
DE-102 D	0,5-0,6	Linen	10

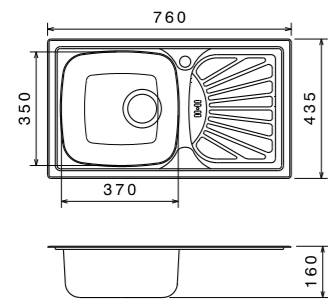
Siphon Types



YP052



YP065



51 x 58

Code	Thickness	Finish	Packing
DE-105	0,6	Satin	10
DE-106	0,6	Linen	10

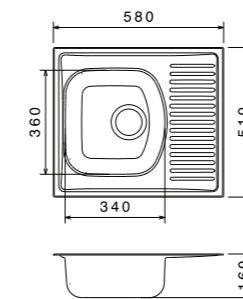
Siphon Types



YP052



YP065



# INSET

# INSET



C-48

Code	Thickness	Finish	Packing
DE-107	0,6-0,8	Stin	10
DE-108	0,6-0,8	Linen	10

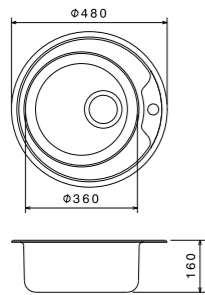
Siphon Types



YP052



YP065



48 x 62

Code	Thickness	Finish	Packing
DE-111	0,6-0,8	Stin	10
DE-112	0,6-0,8	Linen	10

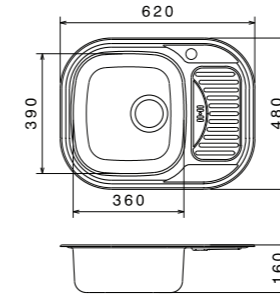
Siphon Types



YP052



YP065



46 x 48

Code	Thickness	Finish	Packing
DE-109	0,6-0,8	Stin	10
DE-110	0,6-0,8	Linen	10

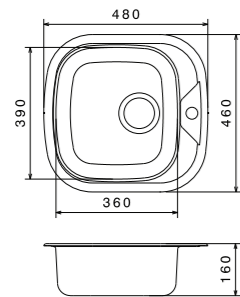
Siphon Types



YP052



YP065



48 x 78

Code	Thickness	Finish	Packing
DE-113	0,6-0,8	Stin	10
DE-114	0,6-0,8	Linen	10

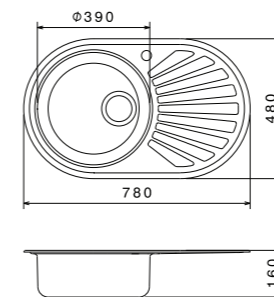
Siphon Types



YP052



YP065





# INSET



48 x 78

Code	Thickness	Finish	Packing
DE-113 D	0,6-0,8	Satin	10
DE-114 D	0,6-0,8	Linen	10

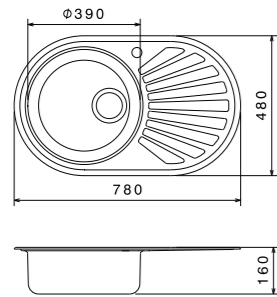
### Siphon Types



YP052



YP065



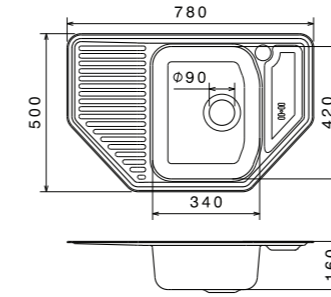
50 x 78

Code	Thickness	Finish	Packing
DE-115	0,6-0,8	Satin	10
DE-116	0,6-0,8	Linen	10

### Siphon Types



YP065



48 x 78

Code	Thickness	Finish	Packing
DE-113 D-2	0,6-0,8	Satin	10
DE-114 D-2	0,6-0,8	Linen	10

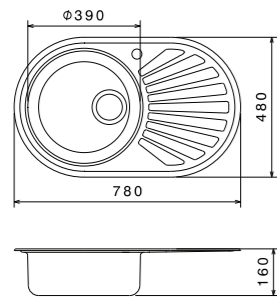
### Siphon Types



YP052



YP065



58 x 48

Code	Thickness	Finish	Packing
DE-117	0,6-0,8	Satin	10
DE-118	0,6-0,8	Linen	10

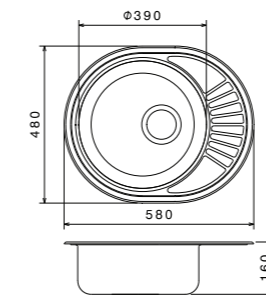
### Siphon Types



YP052



YP065







# INSET



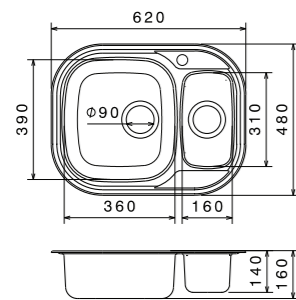
48 x 62

Code	Thickness	Finish	Packing
DE-119	0,8	Satin	10
DE-120	0,8	Linen	10

### Siphon Types



YP074



43,5 x 86

Code	Thickness	Finish	Packing
DE-121 D	0,5-0,6	Satin	10
DE-122 D	0,5-0,6	Linen	10

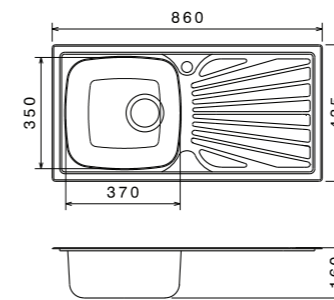
### Siphon Types



YP052



YP065



43,5 x 86

Code	Thickness	Finish	Packing
DE-121	0,5-0,6	Satin	10
DE-122	0,5-0,6	Linen	10

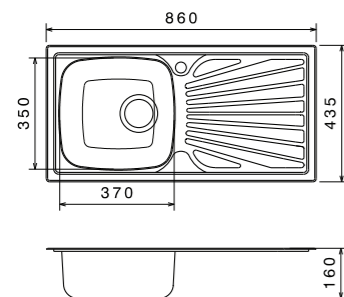
### Siphon Types



YP052



YP065



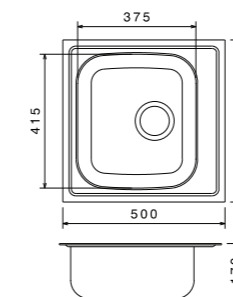
50 x 50

Code	Thickness	Finish	Packing
DE-123	0,5-0,6	Satin	12-10
DE-124	0,5-0,6	Linen	12-10

### Siphon Types

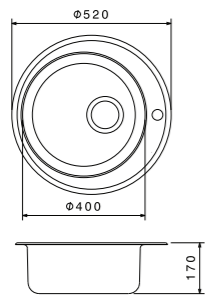


YP065





# INSET



## C-52

Code	Thickness	Finish	Packing
DE-125	0,6-0,8	Sctin	10
DE-126	0,6-0,8	Linen	10

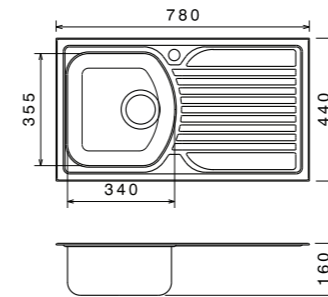
### Siphon Types



YP052



YP065



## 44 x 78

Code	Thickness	Finish	Packing
DE-129	0,5-0,6	Sctin	10
DE-130	0,5-0,6	Linen	10

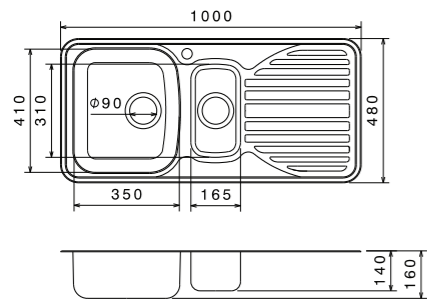
### Siphon Types



YP052



YP065



## 48 x 100

Code	Thickness	Finish	Packing
DE-127	0,8	Sctin	1
DE-128	0,8	Linen	1

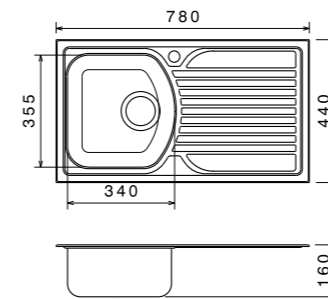
### Siphon Types



YP074



YP077



## 44 x 78

Code	Thickness	Finish	Packing
DE-129 D	0,5-0,6	Sctin	10
DE-130 D	0,5-0,6	Linen	10

### Siphon Types



YP052



YP065

# INSET



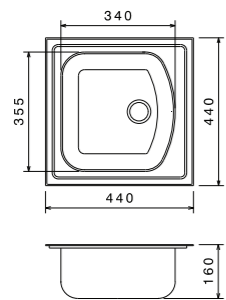
44 x 44

Code	Thickness	Finish	Packing
DE-131	0,5-0,6	Satin	12-10
DE-132	0,5-0,6	Linen	12-10

Siphon Types



YP065



44 x 50

Code	Thickness	Finish	Packing
DE-135	0,6	Satin	12
DE-136	0,6	Linen	12

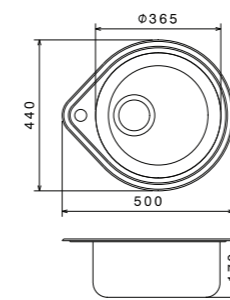
Siphon Types



YP052



YP065



44 x 78

Code	Thickness	Finish	Packing
DE-133	0,6	Satin	10
DE-134	0,6	Linen	10

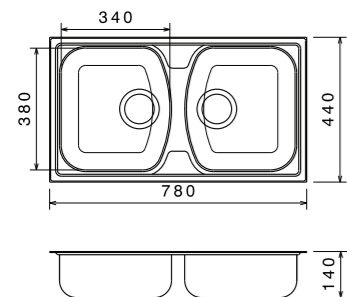
Siphon Types



YP074



YP075



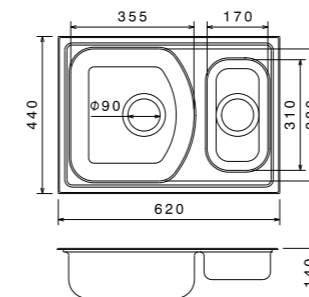
44 x 62

Code	Thickness	Finish	Packing
DE-137	0,6	Satin	10
DE-138	0,6	Linen	10

Siphon Types



YP074





# INSET



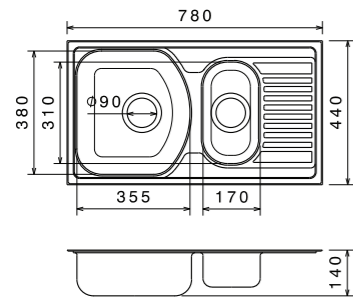
44 x 78

Code	Thickness	Finish	Packing
DE-139	0,6	Stin	10
DE-140	0,6	Linen	10

Siphon Types



YP074



50 x 116

Code	Thickness	Finish	Packing
DE-143	0,6	Stin	10-1
DE-144	0,6	Linen	10-1

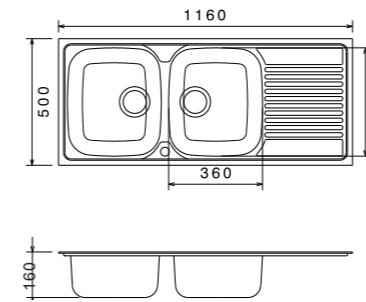
Siphon Types



YP074



YP061



37 x 46

Code	Thickness	Finish	Packing
DE-141	0,6-0,8	Stin	10
DE-142	0,6-0,8	Linen	10

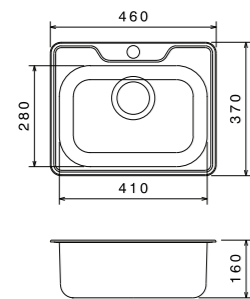
Siphon Types



YP052



YP065



50 x 116

Code	Thickness	Finish	Packing
DE-143-D1	0,7-0,8	Stin	1
DE-144-D1	0,7-0,8	Linen	1

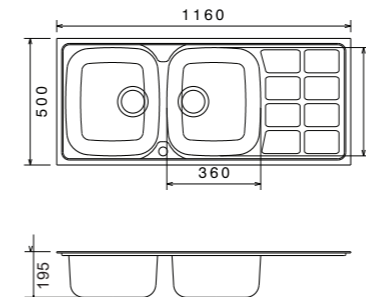
Siphon Types



YP074



YP071



# INSET



50 x 116

Code	Thickness	Finish	Packing
DE-143-D2	0,7-0,8	Satin	1
DE-144-D2	0,7-0,8	Linen	1

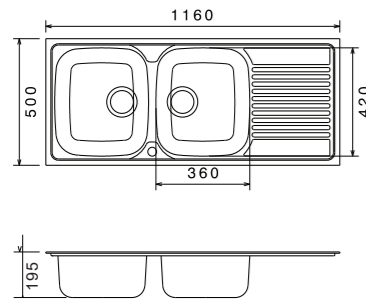
### Siphon Types



YP074



YP071



38 x 38

Code	Thickness	Finish	Packing
DE-147	0,6-0,8	Satin	10
DE-148	0,6-0,8	Linen	10

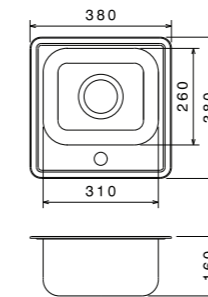
### Siphon Types



YP052



YP065



60 x 50

Code	Thickness	Finish	Packing
DE-145	0,6-0,8	Satin	10
DE-146	0,6-0,8	Linen	10

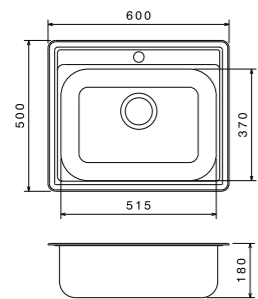
### Siphon Types



YP052



YP065



49,5 x 47,5

Code	Thickness	Finish	Packing
DE-149	0,6-0,8	Satin	10
DE-150	0,6-0,8	Linen	10

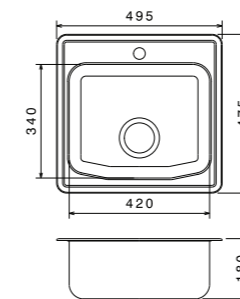
### Siphon Types



YP052



YP065





# INSET



47 x 49

Code	Thickness	Finish	Packing
DE-151	0,6-0,8	Stain	10
DE-152	0,6-0,8	Linen	10

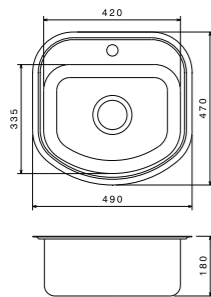
### Siphon Types



YP052



YP065



50 x 120

Code	Thickness	Finish	Packing
DE-155	0,7	Stain	1
DE-156	0,7	Linen	1

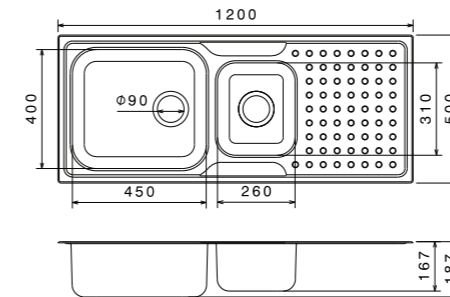
### Siphon Types



YP074



YP077



C-45

Code	Thickness	Finish	Packing
DE-153	0,6	Stain	10
DE-154	0,6	Linen	10

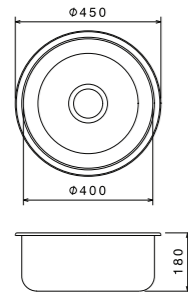
### Siphon Types



YP052



YP065



50 x 100

Code	Thickness	Finish	Packing
DE-157	0,7	Stain	1
DE-158	0,7	Linen	1

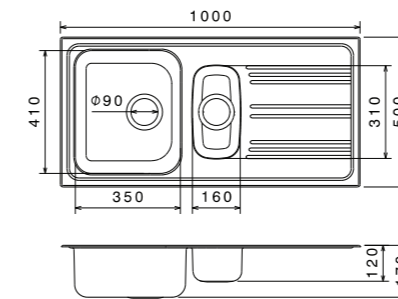
### Siphon Types



YP074



YP077







# INSET



49 x 78

Code	Thickness	Finish	Packing
DE-159	0,8	Satin	1
DE-160	0,8	Linen	1

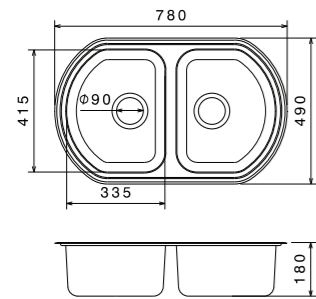
Siphon Types



YP074



YP071



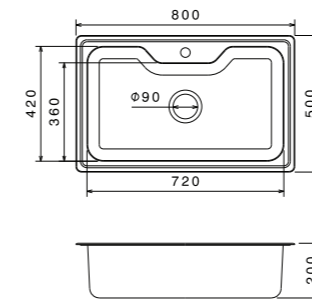
50 x 80

Code	Thickness	Finish	Packing
DE-163	0,7-0,8	Satin	5
DE-164	0,7-0,8	Linen	5

Siphon Types



YP065



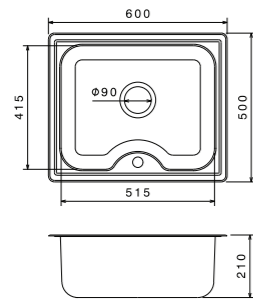
50 x 60

Code	Thickness	Finish	Packing
DE-161	0,7-0,8	Satin	5
DE-162	0,7-0,8	Linen	5

Siphon Types



YP065



50 x 86

Code	Thickness	Finish	Packing
DE-165	0,7-0,8	Satin	5
DE-166	0,7-0,8	Linen	5

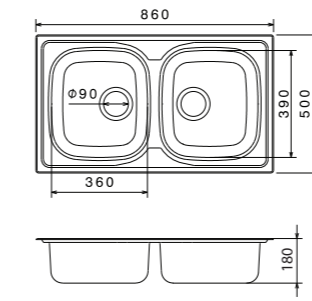
Siphon Types



YP074



YP071



# INSET



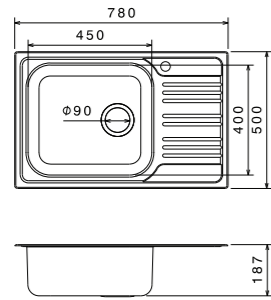
50 x 78

Code	Thickness	Finish	Packing
DE-167	0,6-0,7	Stin	10
DE-168	0,6-0,7	Linen	10

Siphon Types



YP065



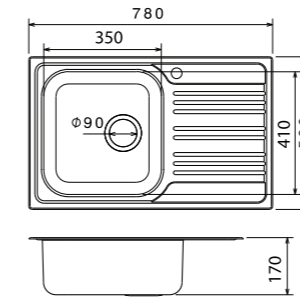
50 x 78

Code	Thickness	Finish	Packing
DE-171	0,6	Stin	10
DE-172	0,6	Linen	10

Siphon Types



YP065



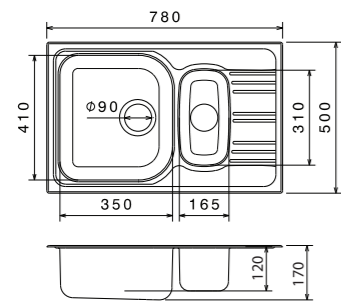
50 x 78

Code	Thickness	Finish	Packing
DE-169	0,6-0,8	Stin	10
DE-170	0,6-0,8	Linen	10

Siphon Types



YP074



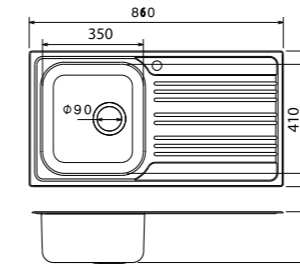
86 x 50

Code	Thickness	Finish	Packing
DE-173	0,6	Stin	10
DE-174	0,6	Linen	10

Siphon Types



YP065





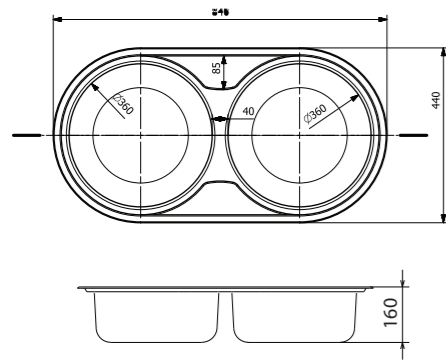
# INSET

44 x 84



Code	Thickness	Finish	Packing
DE-175	0,8	Sctin	1 1
DE-176	0,8	Linen	1 1

Siphon Types



YP074



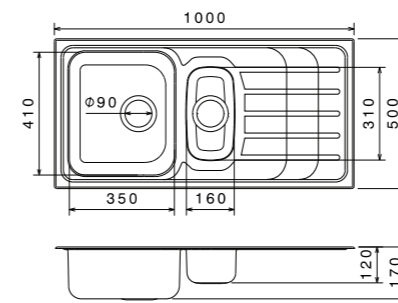
YP071

50 x 100



Code	Thickness	Finish	Packing
DE-179	0,7-0,8	Sctin	5
DE-180	0,7-0,8	Linen	5

Siphon Types



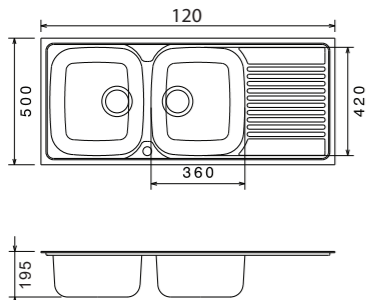
YP074

50 x 120



Code	Thickness	Finish	Packing
DE-177	0,8	Sctin	1
DE-178	0,8	Linen	1

Siphon Types



YP074



YP071



# UNDERMOUNT





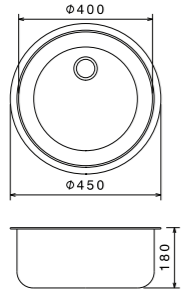
# UNDERMOUNT



C-40

Code	Thickness	Finish	Packing
DE-901	0,6-0,8	Scin	15-12
DE-902	0,6-0,8	Linen	15-12

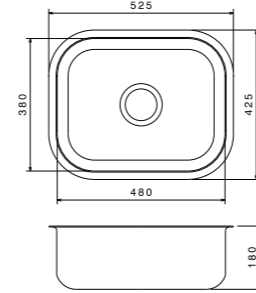
Siphon Types



38 x 48

Code	Thickness	Finish	Packing
DE-905	0,6-0,8	Scin	15-12
DE-906	0,6-0,8	Linen	12-10

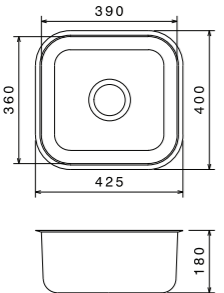
Siphon Types



36 x 39

Code	Thickness	Finish	Packing
DE-903	0,6-0,8	Scin	10
DE-904	0,6-0,8	Linen	10

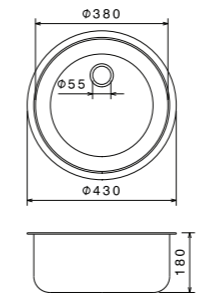
Siphon Types



C-38

Code	Thickness	Finish	Packing
DE-907	0,5-0,6	Scin	15
DE-908	0,5-0,6	Linen	15

Siphon Types



# UNDERMOUNT



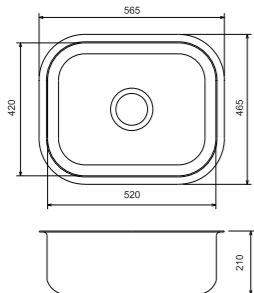
42 x 52

Code	Thickness	Finish	Packing
DE-909	1	Satin	10
DE-910	1	Linen	10

**Siphon Types**



YP038 YP064 YP065



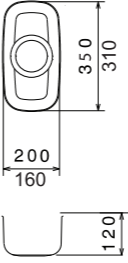
42 x 52

Code	Thickness	Finish	Packing
DE-909	1	Satin	10
DE-910	1	Linen	10

**Siphon Types**



YP038 YP064 YP065



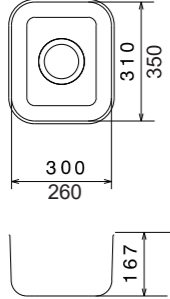
26x31

Code	Thickness	Finish	Packing
DE-911	0,7	Satin	10
DE-912	0,7	Linen	10

**Siphon Types**



YP038 YP064









# LAY - ON / ONSET





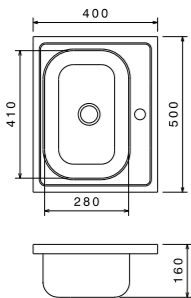
# LAY - ON / ONSET



50 x 40

Code	Thickness	Finish	Packing
DE-299	0,4-0,5-0,6	Satin	20-15
DE-300	0,4-0,5-0,6	Linen	20-15

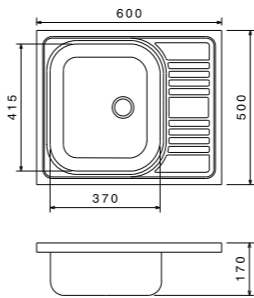
Siphon Types



50 x 60

Code	Thickness	Finish	Packing
DE-303	0,4-0,5-0,6	Satin	20-15
DE-304	0,4-0,5-0,6	Linen	20-15

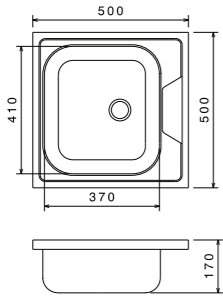
Siphon Types



50 x 50

Code	Thickness	Finish	Packing
DE-301	0,4-0,5-0,6	Satin	20-15
DE-302	0,4-0,5-0,6	Linen	20-15

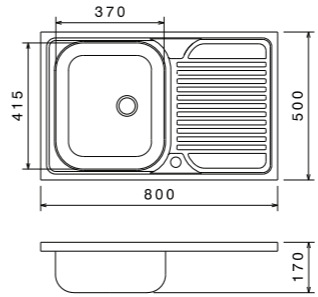
Siphon Types



50 x 80

Code	Thickness	Finish	Packing
DE-305	0,4-0,5-0,6	Satin	15-12
DE-306	0,4-0,5-0,6	Linen	15-12

Siphon Types



# LAY - ON / ONSET



60 x 50

Code	Thickness	Finish	Packing
DE-307	0,4-0,5-0,6	Satin	20-15
DE-308	0,4-0,5-0,6	Linen	20-15

Siphon Types



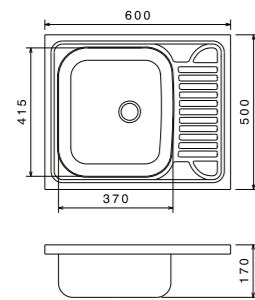
YP038



YP052



YP065



80 x 60

Code	Thickness	Finish	Packing
DE-311	0,4-0,5-0,6	Satin	15-12
DE-312	0,4-0,5-0,6	Linen	15-12

Siphon Types



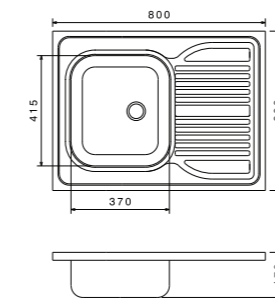
YP038



YP052



YP065



60 x 60

Code	Thickness	Finish	Packing
DE-309	0,4-0,5-0,6	Satin	20-15
DE-310	0,4-0,5-0,6	Linen	20-15

Siphon Types



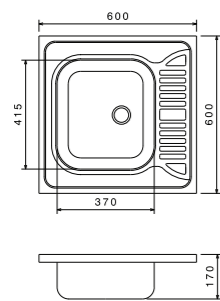
YP038



YP052



YP065



80 x 50

Code	Thickness	Finish	Packing
DE-313	0,5-0,6	Satin	10-12
DE-314	0,5-0,6	Linen	10-12

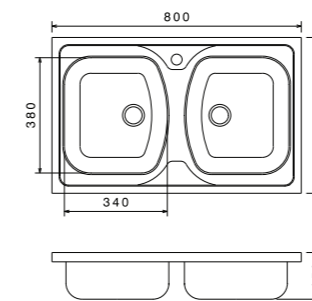
Siphon Types



YP071



YP061





# LAY - ON / ONSET



80 x 60

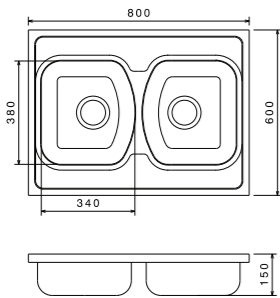
Code	Thickness	Finish	Packing
DE-315	0,5-06	Satin	20-15
DE-316	0,5-06	Linen	20-15

Siphon Types



YP061

YP071



60 x 60

Code	Thickness	Finish	Packing
DE-319	0,5-0,6	Satin	20-15
DE-320	0,5-0,6	Linen	20-15

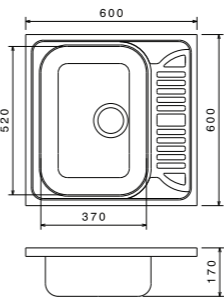
Siphon Types



YP038

YP052

YP065



60 x 50

Code	Thickness	Finish	Packing
DE-317	0,4-0,5-0,6	Satin	20-15
DE-318	0,4-0,5-0,6	Linen	20-15

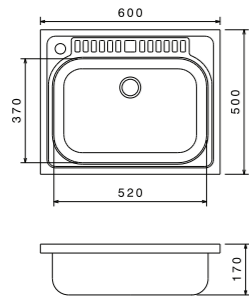
Siphon Types



YP038

YP052

YP065



80 x 60

Code	Thickness	Finish	Packing
DE-321	0,4-0,5-0,6	Satin	15-12
DE-322	0,4-0,5-0,6	Linen	15-12

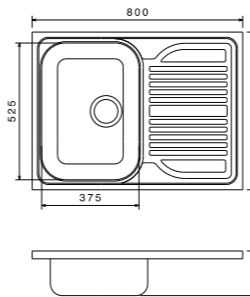
Siphon Types



YP038

YP052

YP065



# LAY - ON / ONSET



100 x 50

Code	Thickness	Finish	Packing
DE-323	0,5-0,6	Satin	10-12
DE-324	0,5-0,6	Linen	10-12

Siphon Types



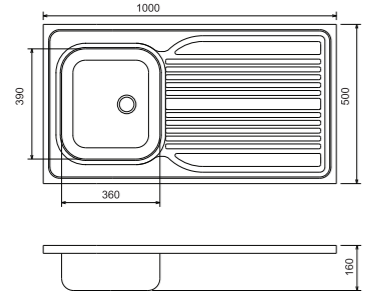
YP038



YP052



YP065



120 x 50

Code	Thickness	Finish	Packing
DE-325	0,5-0,6	Satin	8-10
DE-326	0,5-0,6	Linen	8-10

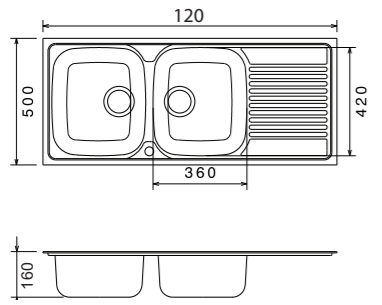
Siphon Types



YP061



YP071







# Contact Us

**h10**

Dereagzi Mh,  
Şule Sk, No: 4 / 2  
+90 549 636 11 10  
[info@h10.com.tr](mailto:info@h10.com.tr)